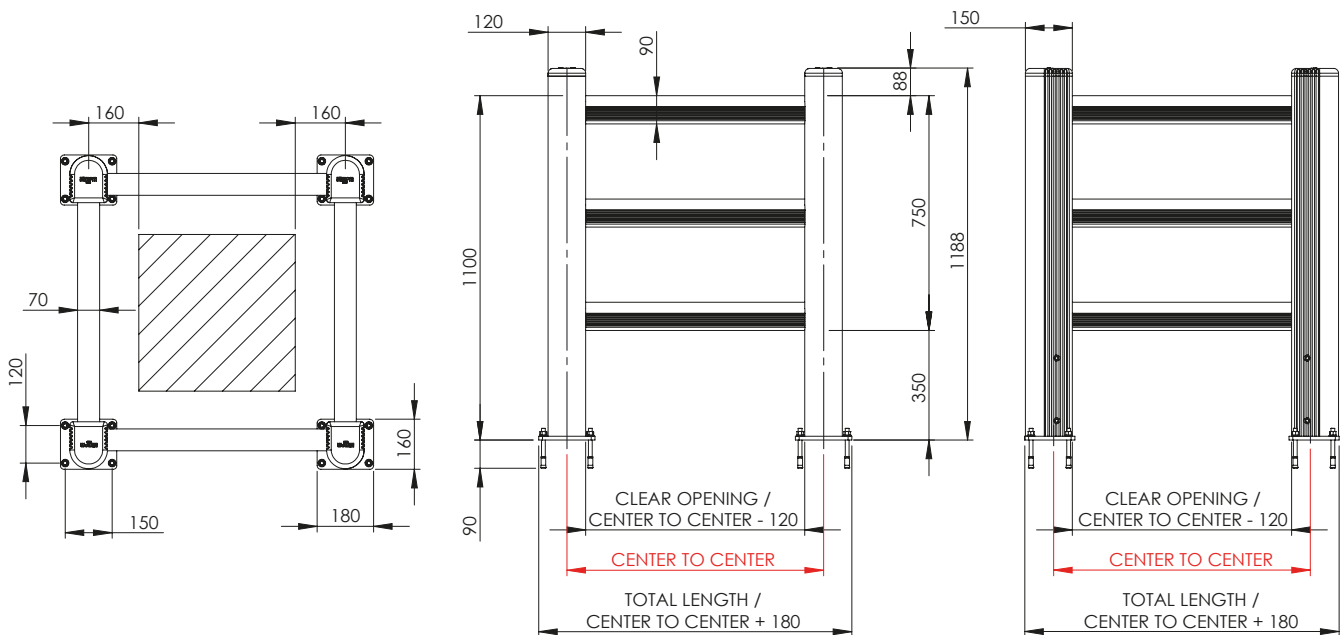
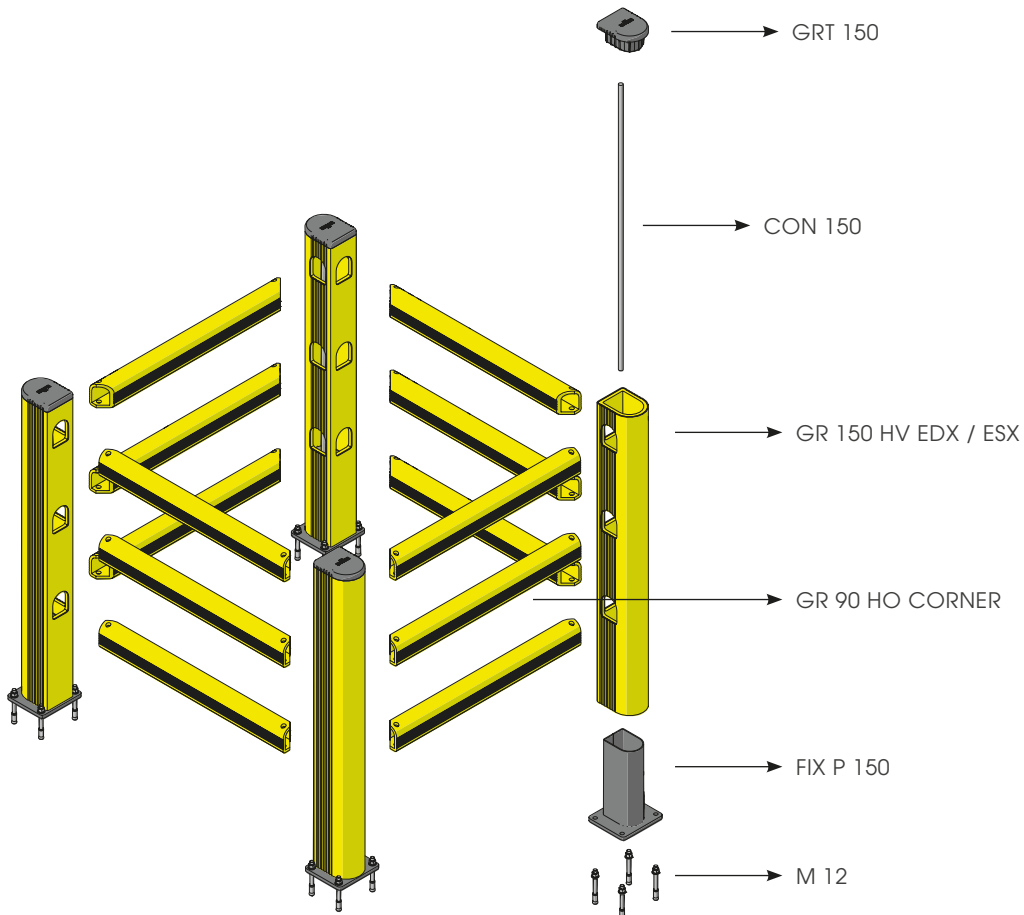


11. COLUMN PROTECTIONS

TOWER

PROTEZIONE COLONNA
COLUMN PROTECTION

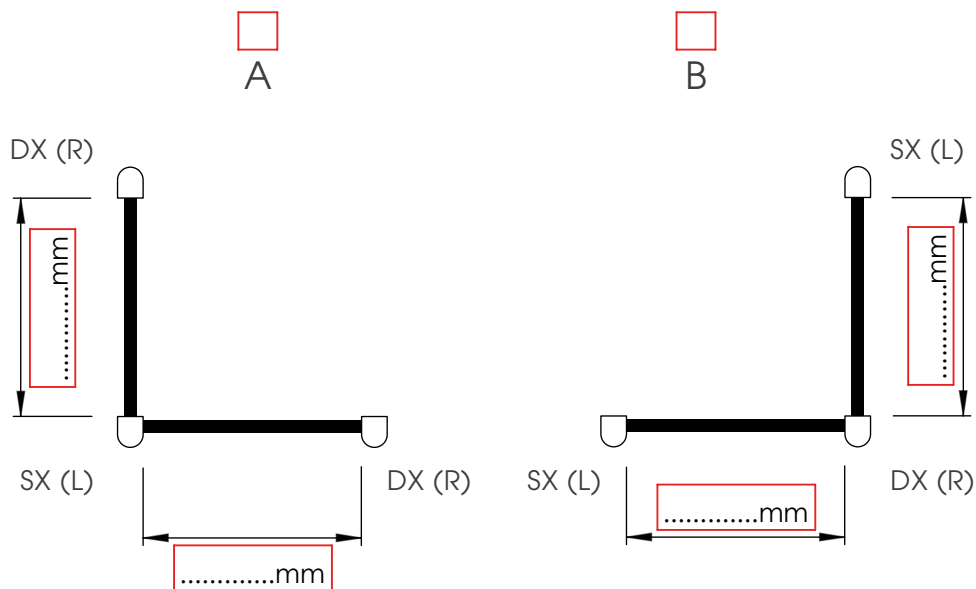


TOWER

PROTEZIONE COLONNA
COLUMN PROTECTION

PLEASE CHECK HERE BELOW
OTHER OPTIONS FOR ASSEMBLY

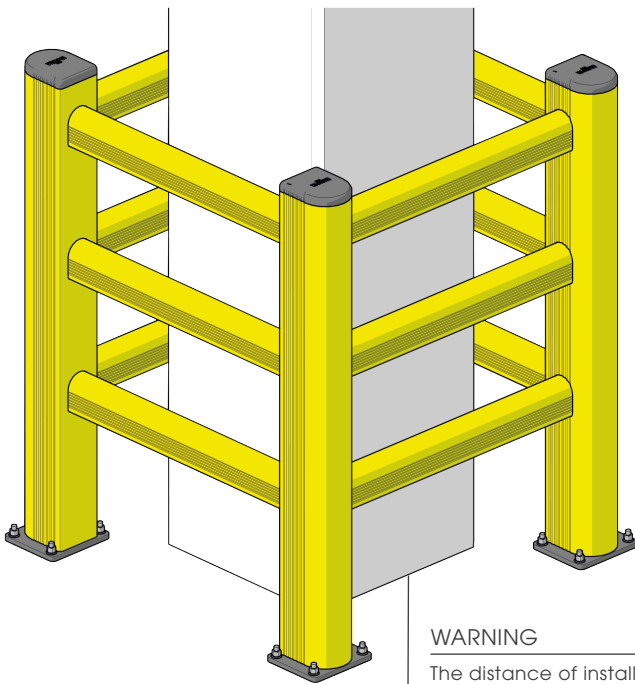
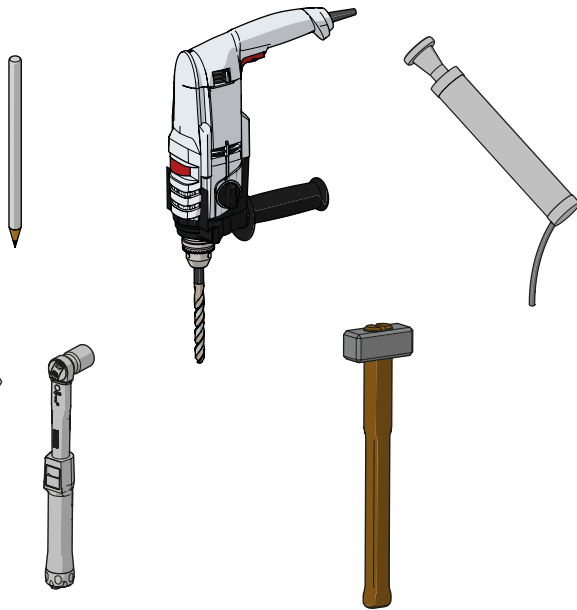
TWO SIDES OPEN



TOWER

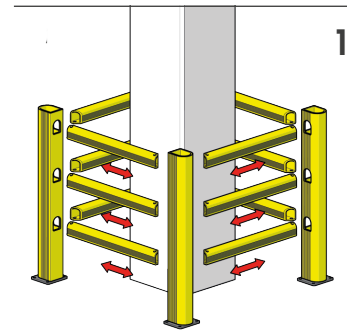
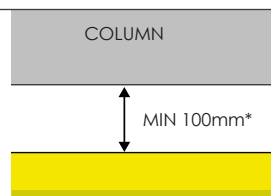
ISTRUZIONI DI INSTALLAZIONE
ASSEMBLY INSTRUCTIONS

Ø12 mm

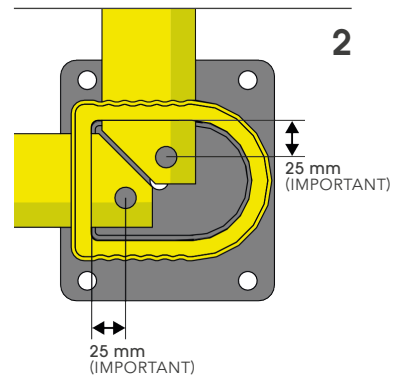


WARNING

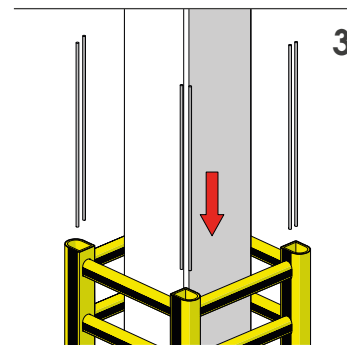
The distance of installation depends on speed and weight of vehicle



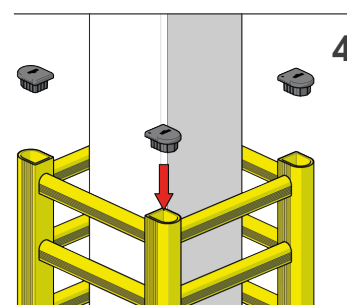
1



2



3



4

TOWER

ISTRUZIONI DI INSTALLAZIONE
ASSEMBLY INSTRUCTIONS

