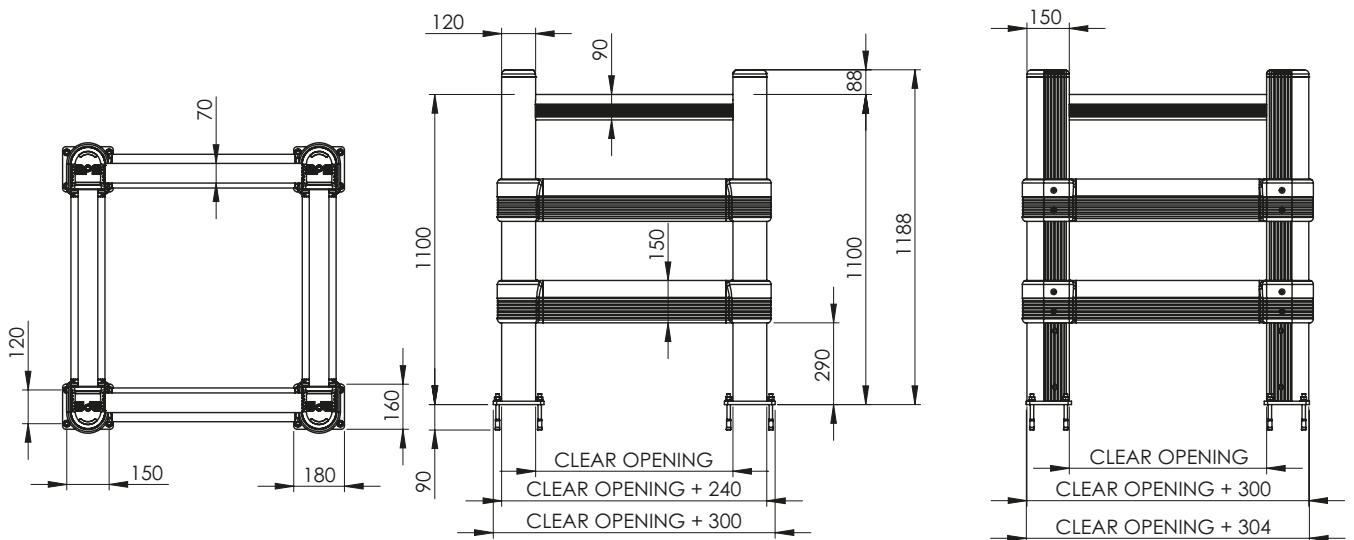
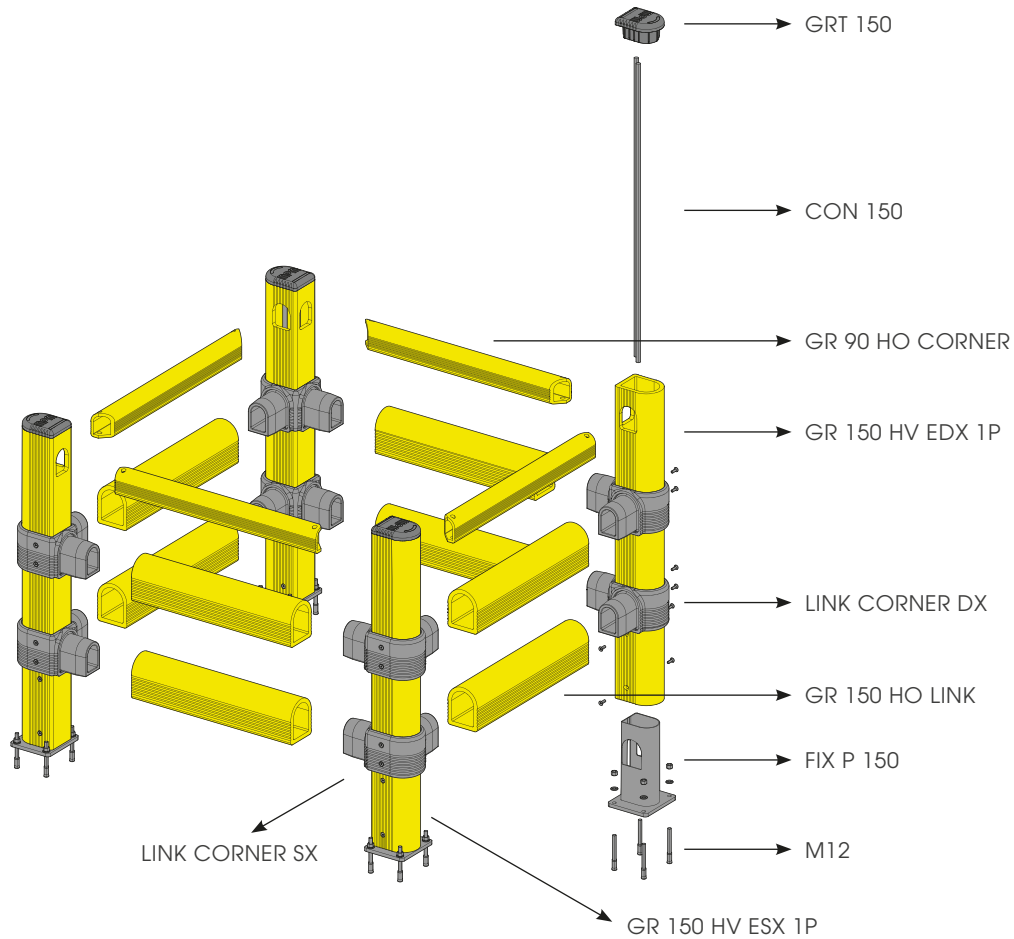


11. COLUMN PROTECTIONS

TOWER LINK

PROTEZIONE COLONNA
COLUMN PROTECTION

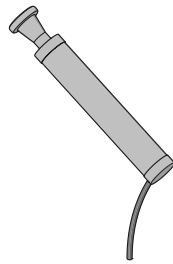
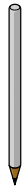


TOWER LINK

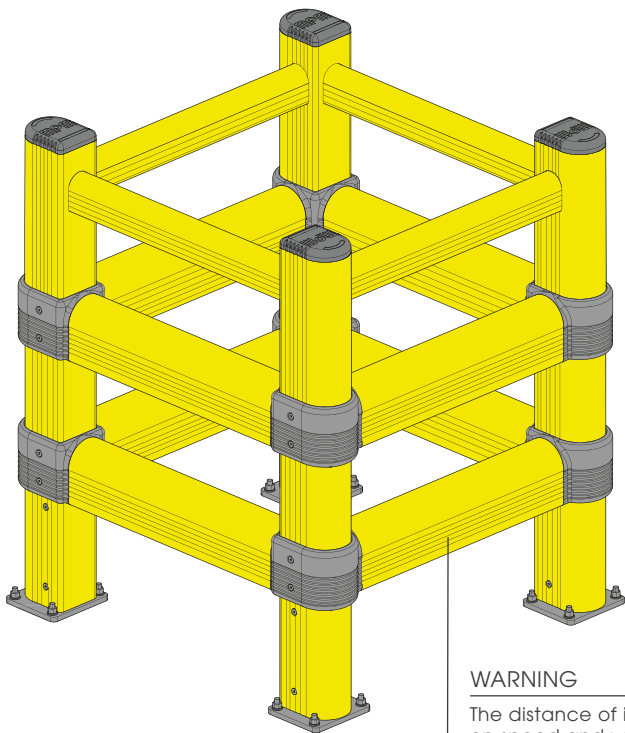
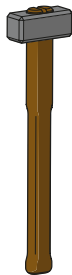
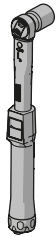
ISTRUZIONI DI INSTALLAZIONE
ASSEMBLY INSTRUCTIONS

SOLUTION DISPLAYED: **TOWER LINK/2**

Ø12 mm



19

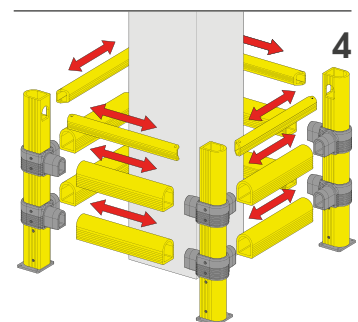
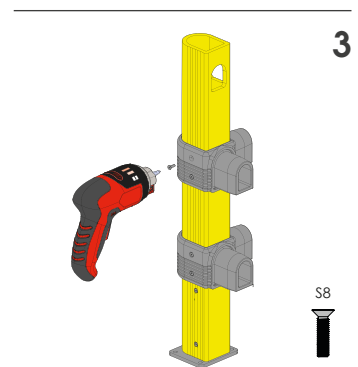
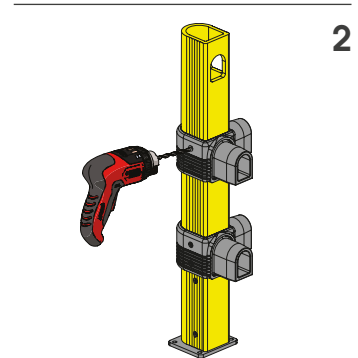
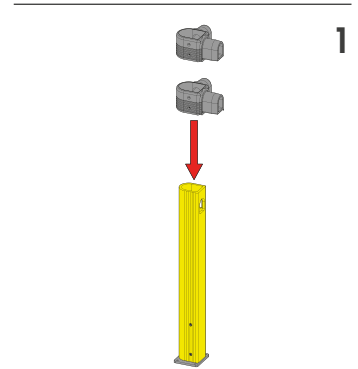


WARNING

The distance of installation depends on speed and weight of vehicle

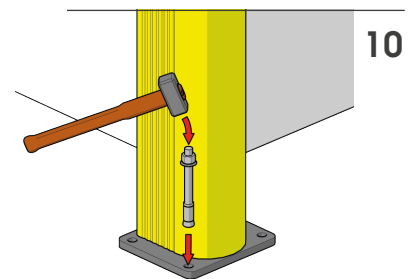
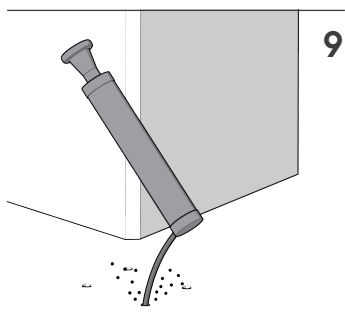
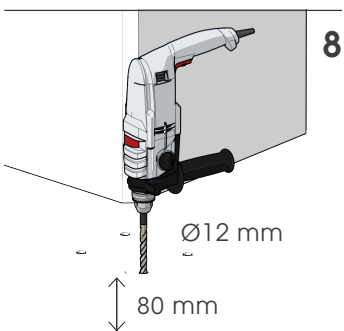
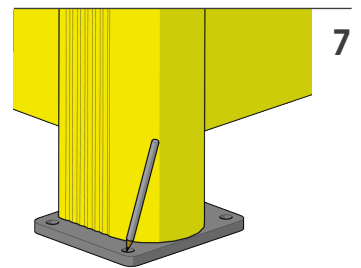
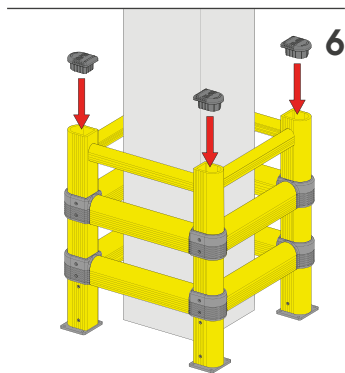
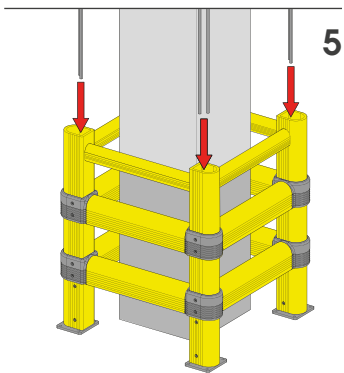
COLUMN

MIN 100mm*

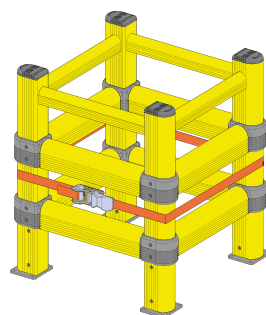
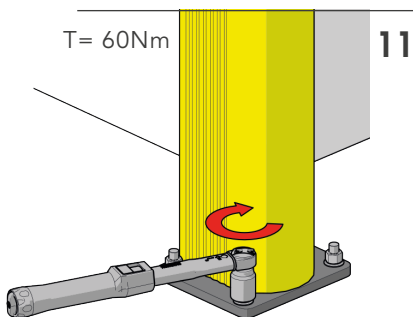


TOWER LINK

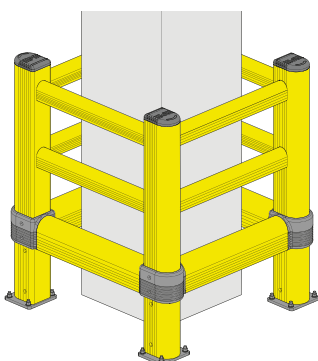
ISTRUZIONI DI INSTALLAZIONE
ASSEMBLY INSTRUCTIONS



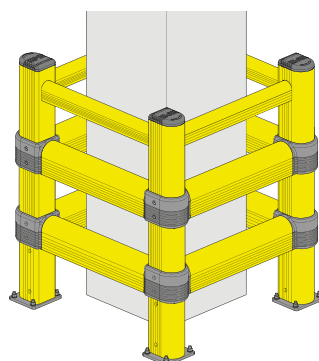
INSTALLATION TIP



TOWER LINK/1



TOWER LINK/2



TOWER LINK/3

