

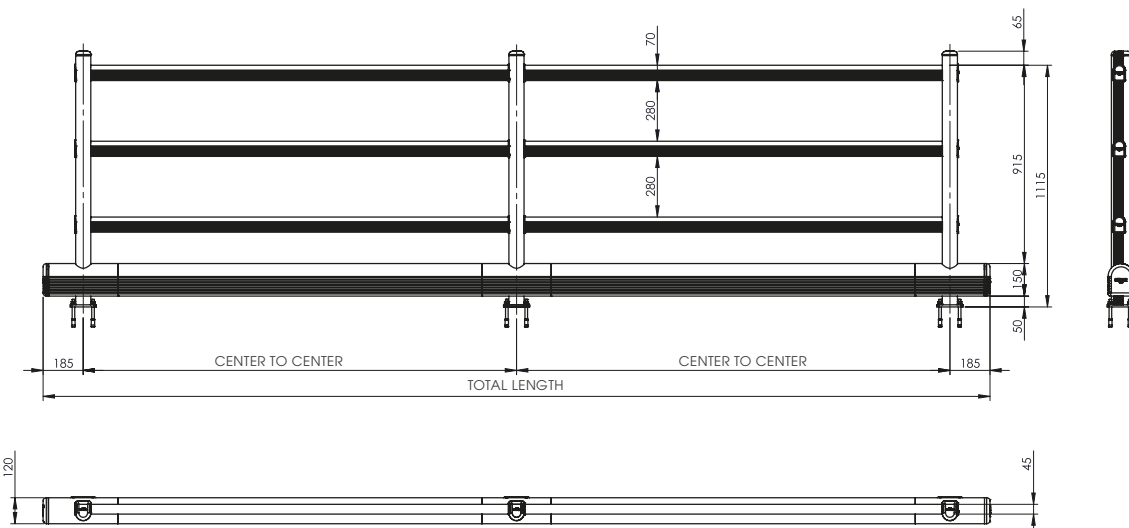
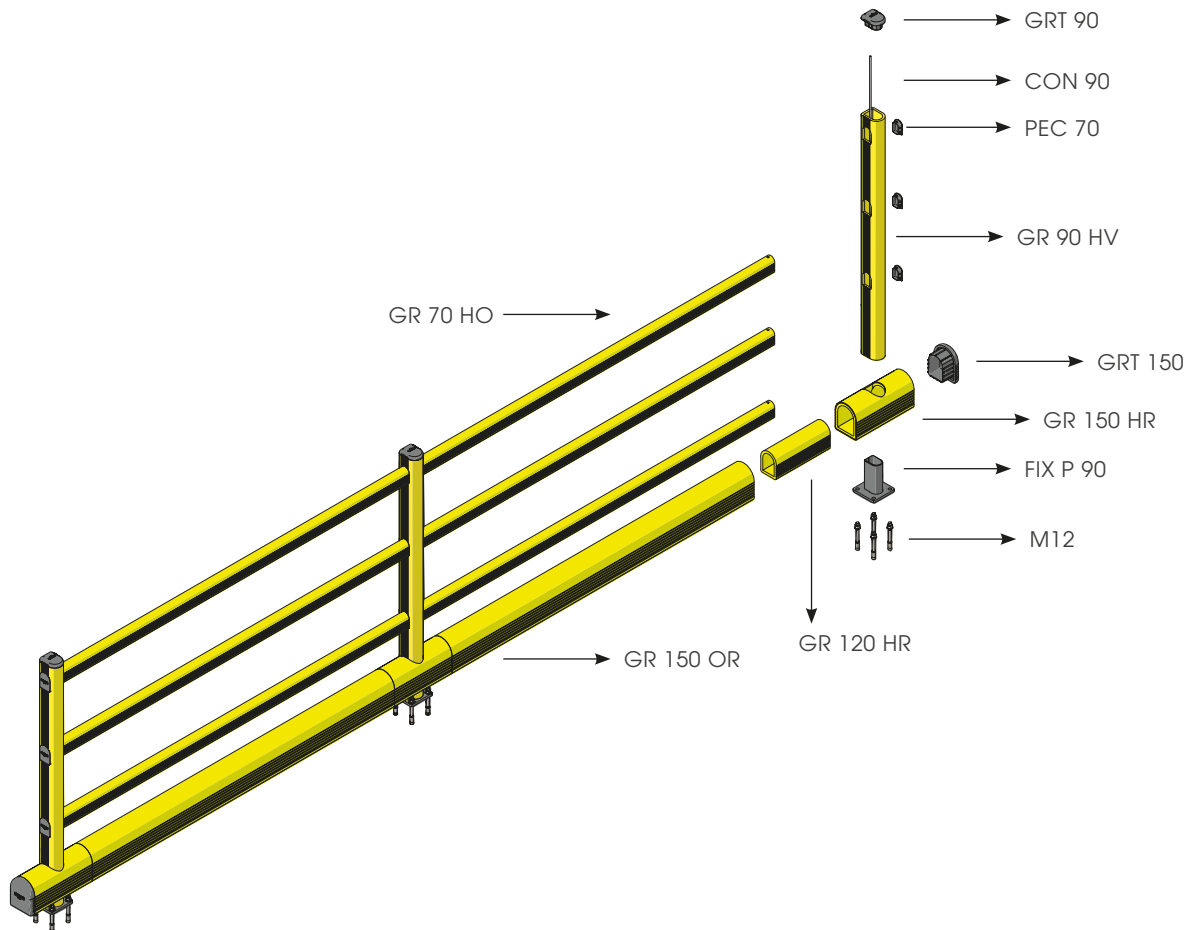
05. PEDESTRIAN SAFETY BARRIERS

PED 90 REINFORCED

BARRIERA DI SICUREZZA
SAFETY BARRIER



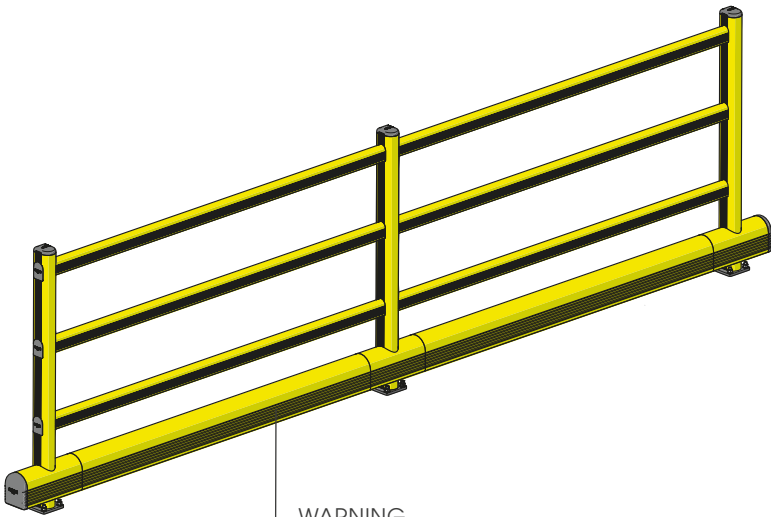
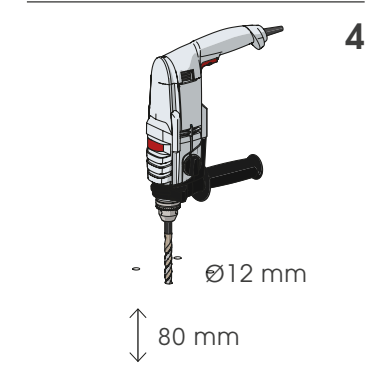
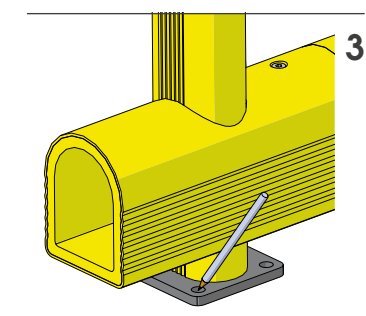
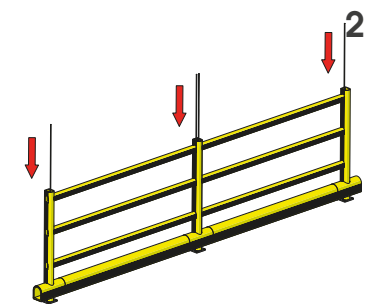
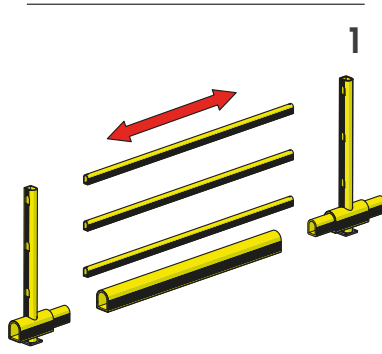
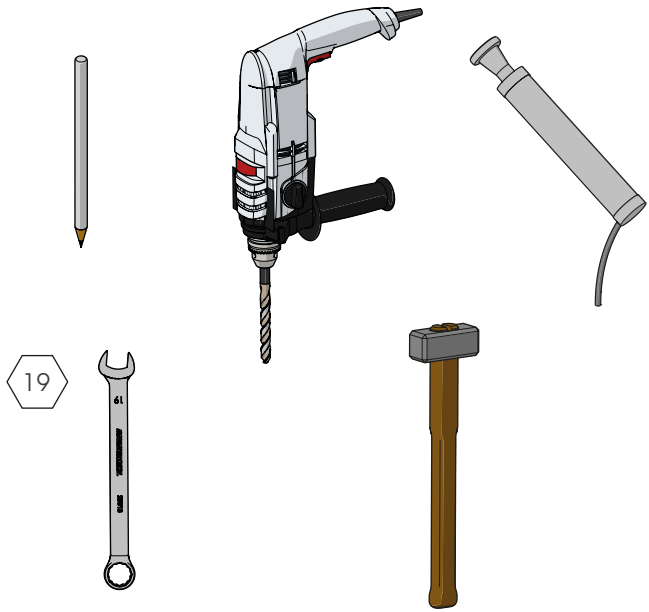
IMPACT TEST PASSED
according to
AFNORNP P98-310



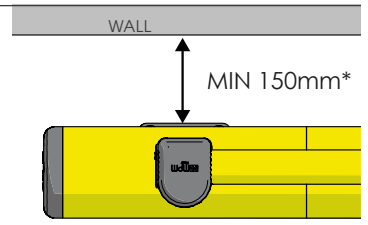
PED 90 REINFORCED

ISTRUZIONI DI INSTALLAZIONE
ASSEMBLY INSTRUCTIONS

Ø12 mm



WARNING
The distance of installation depends on speed and weight of vehicle



PED 90 REINFORCED

ISTRUZIONI DI INSTALLAZIONE
ASSEMBLY INSTRUCTIONS

