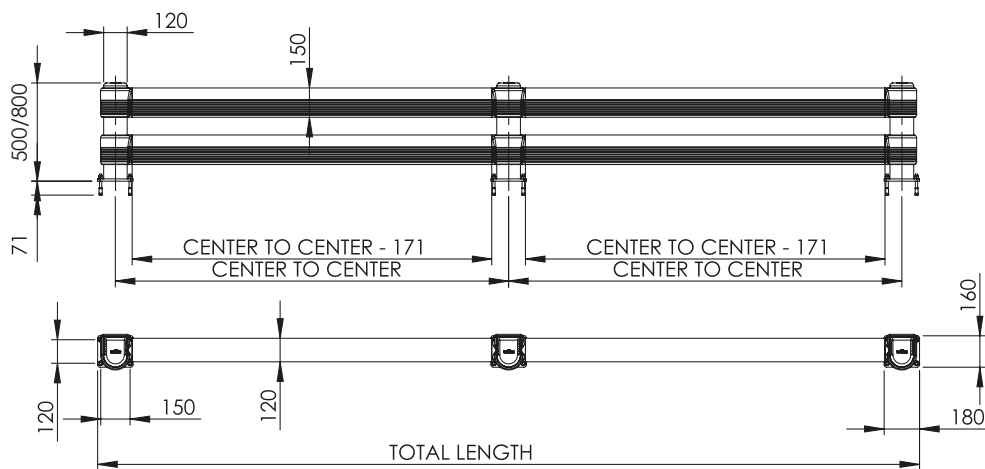
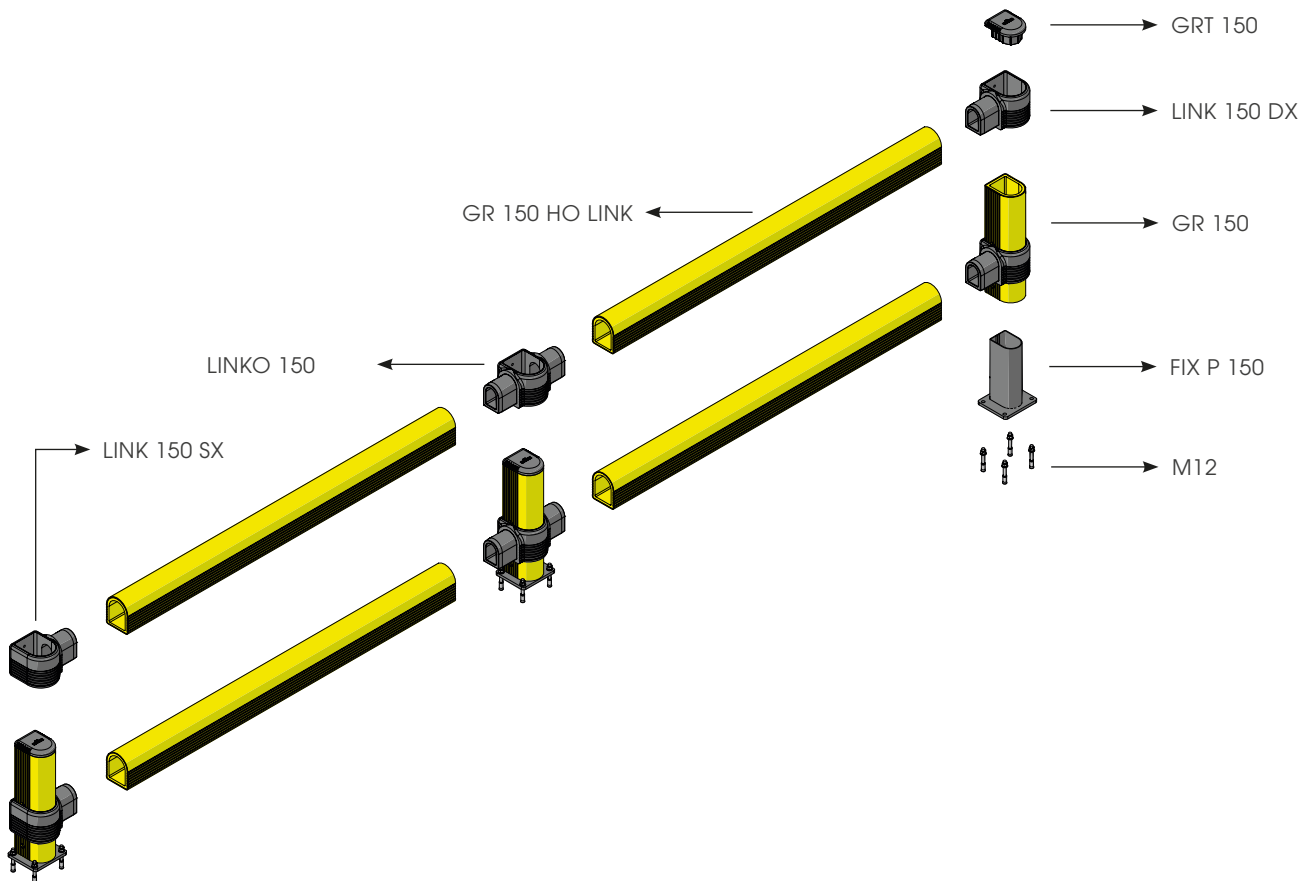


## 08. LINK

# LINK LM

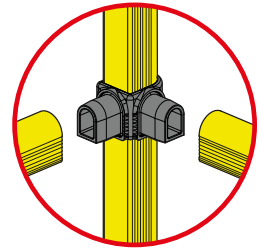
GUARD RAIL A DOPPIA BARRIERA REGOLABILE  
ADJUSTABLE DOUBLE RAIL BARRIER



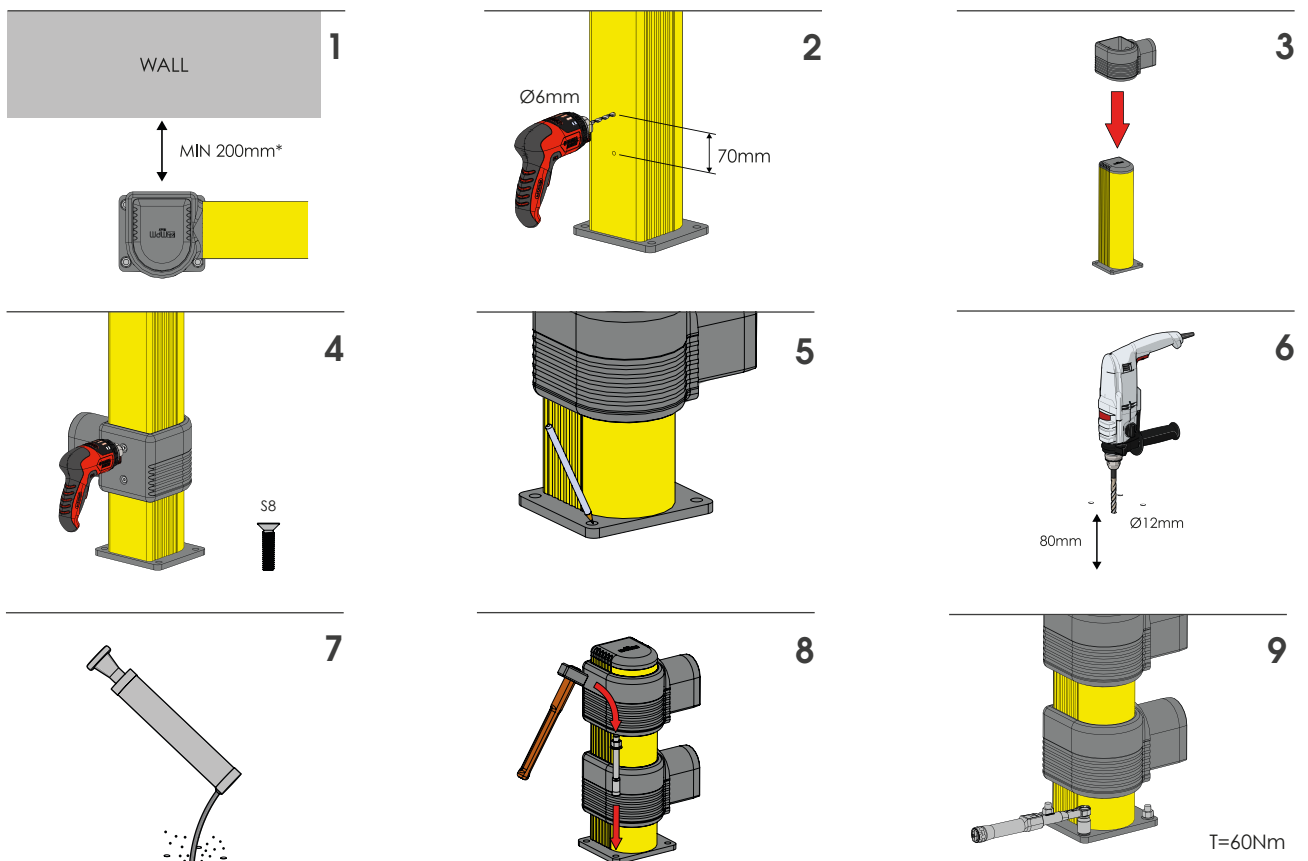
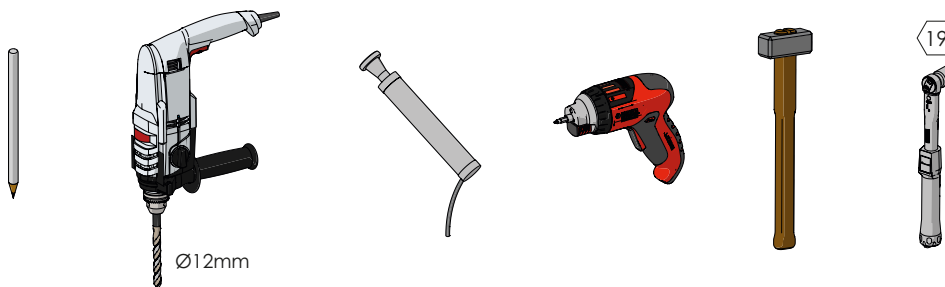
## LINK LM

### ISTRUZIONI DI INSTALLAZIONE ASSEMBLY INSTRUCTIONS

LINK  
CORNER



WARNING | The distance of installation depends on speed and weight of vehicle  
| The product is equipped with screws M8



# LINK LM

ISTRUZIONI DI INSTALLAZIONE  
ASSEMBLY INSTRUCTIONS

