

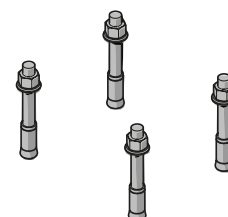
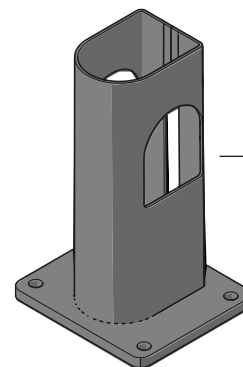
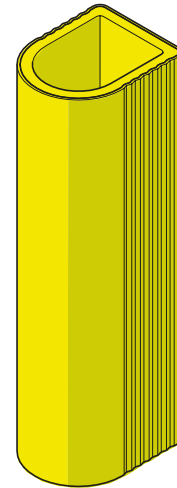
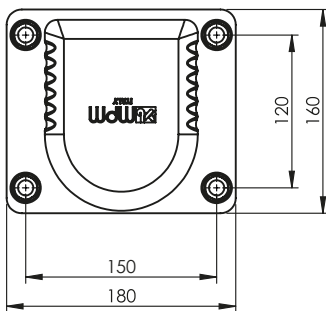
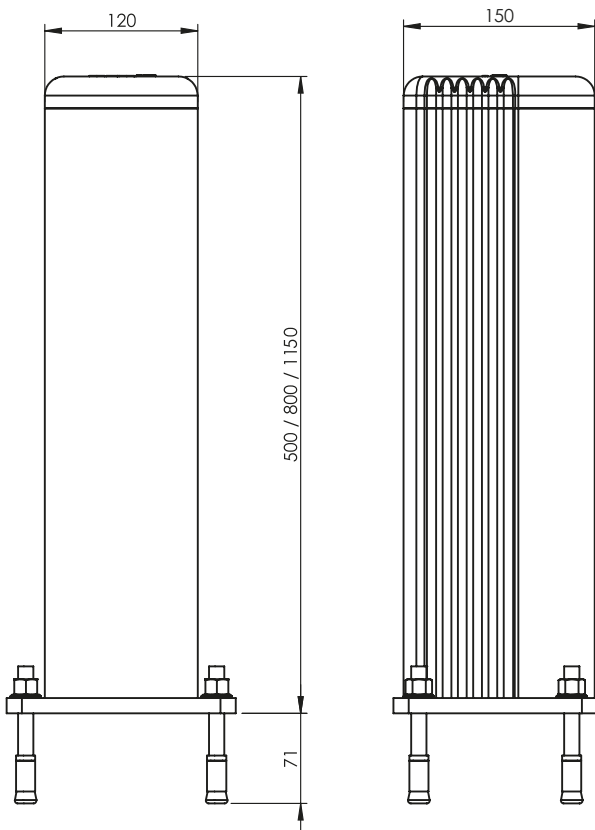
02. BOLLARD

GRD 150

PALO PROTEZIONE
BOLLARD

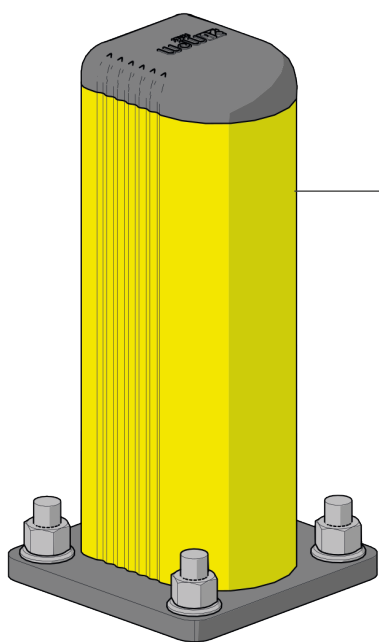


IMPACT TEST PASSED
according to
EN 15512:2009



GRD 90/150

ISTRUZIONI DI INSTALLAZIONE
ASSEMBLY INSTRUCTIONS



WARNING
The distance of installation depends on speed and weight of vehicle

