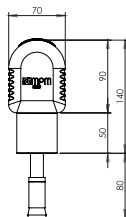
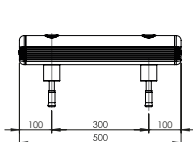
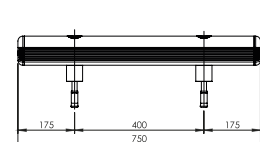
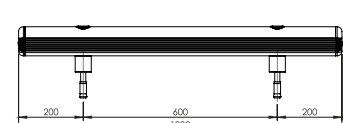
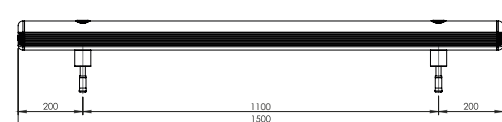
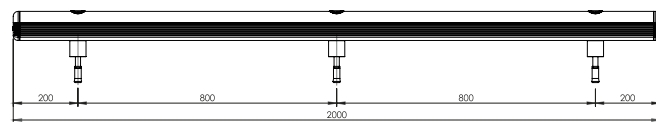
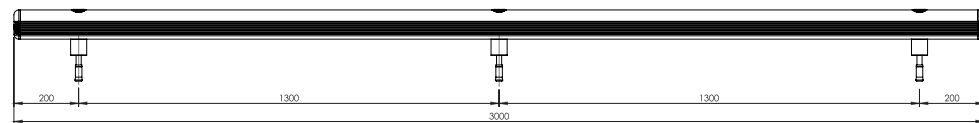
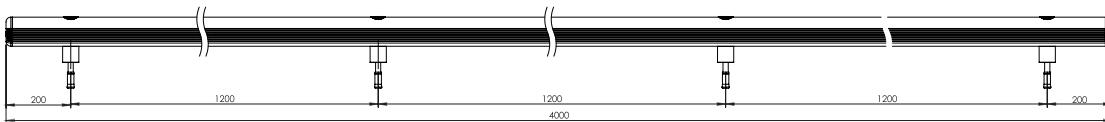
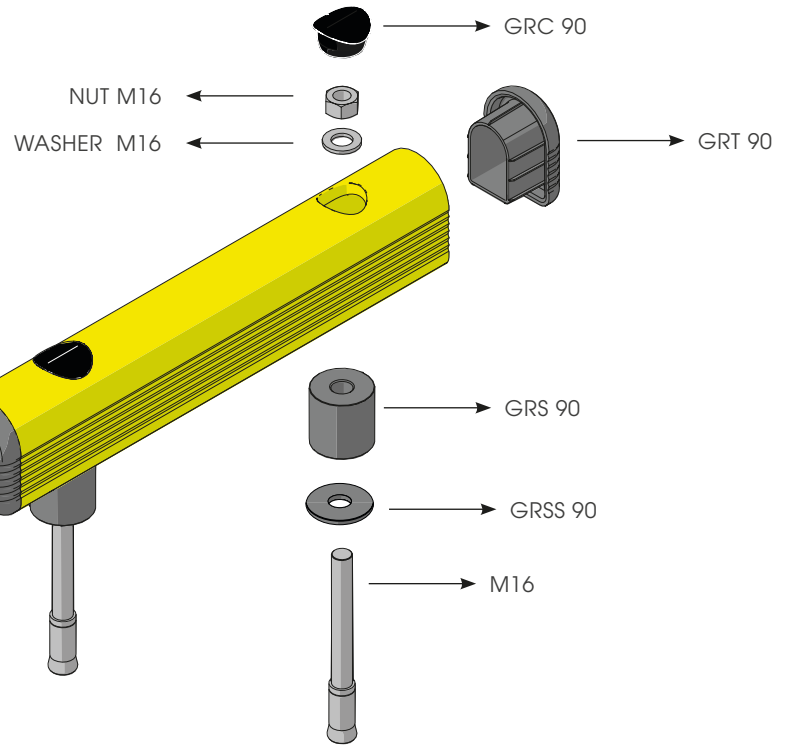


03. GUARD RAIL

GR 90

BARRIERA SINGOLA
SINGLE-RAIL BARRIER



GR 90

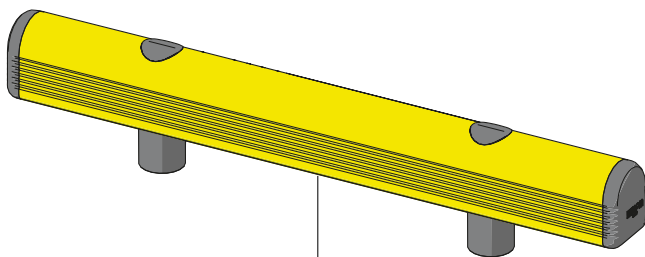
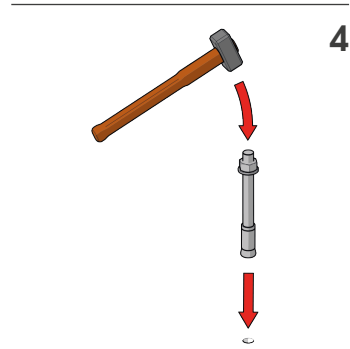
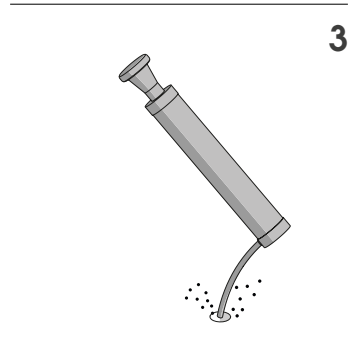
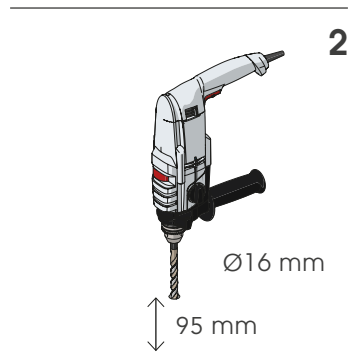
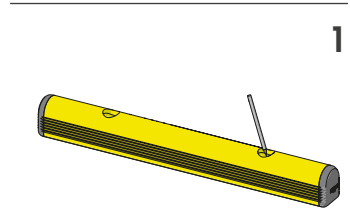
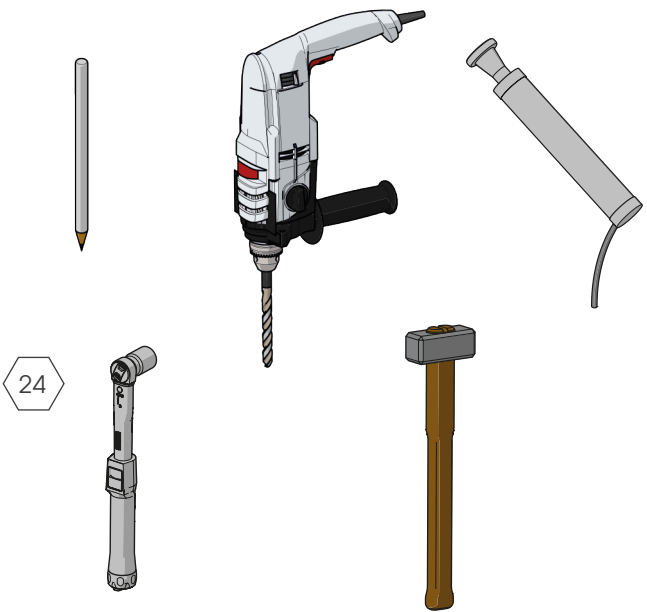
ISTRUZIONI DI INSTALLAZIONE
ASSEMBLY INSTRUCTIONS



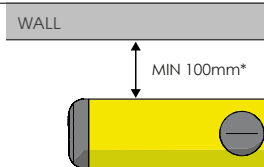
M16 GALVANISED STEEL

WITH EXPANSION SCREW

Ø16 mm



WARNING
The distance of installation depends on speed and weight of vehicle



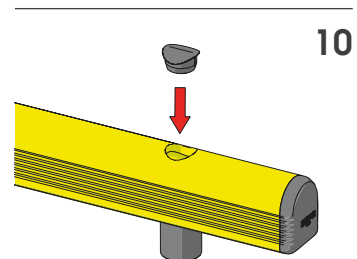
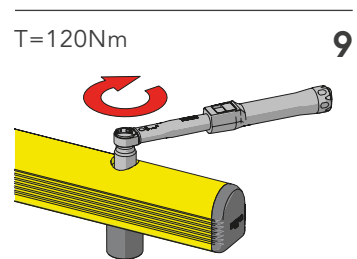
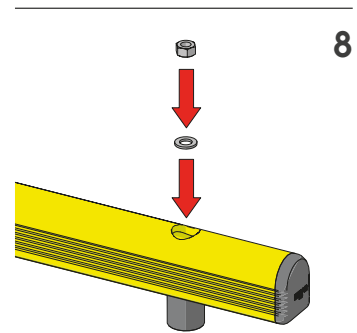
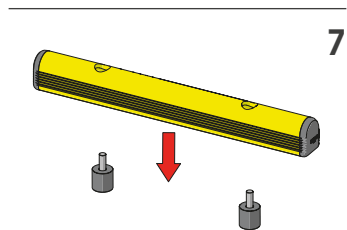
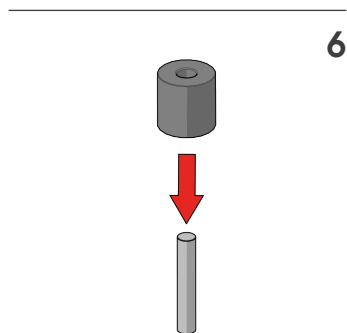
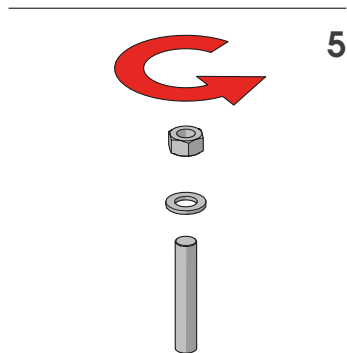
GR 90

ISTRUZIONI DI INSTALLAZIONE
ASSEMBLY INSTRUCTIONS



M16 GALVANISED STEEL

WITH EXPANSION SCREW



GR 90

ISTRUZIONI DI INSTALLAZIONE
ASSEMBLY INSTRUCTIONS



SF16 INOX

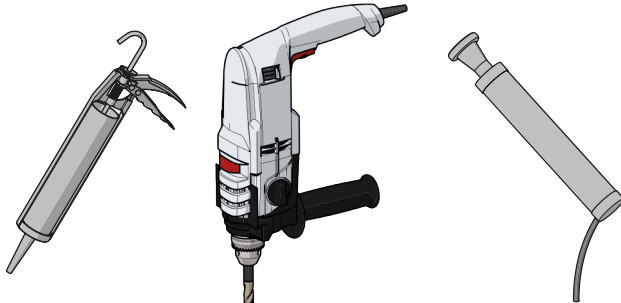


ANCHOR (FR)

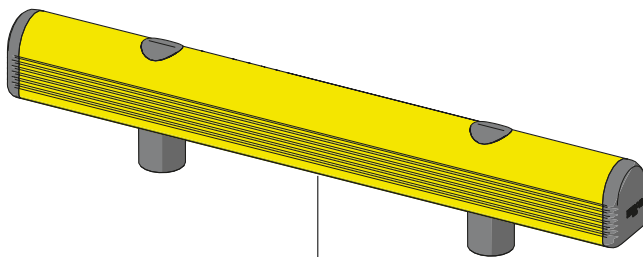
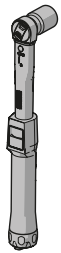
WITH RESIN

CHEMICAL ANCHOR

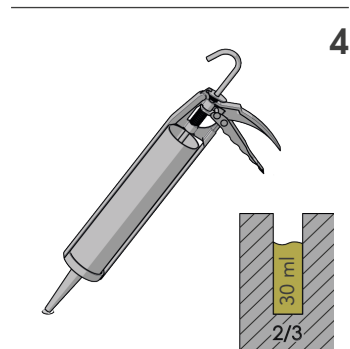
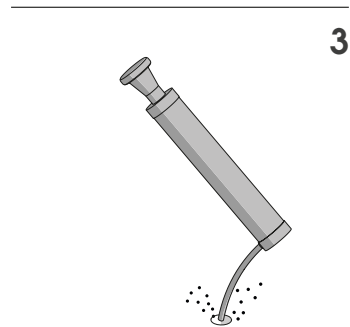
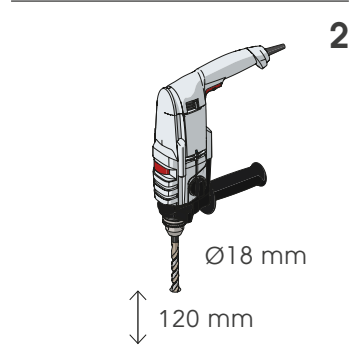
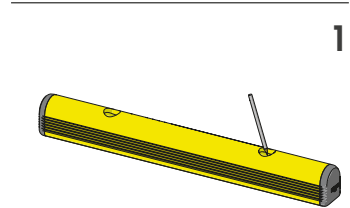
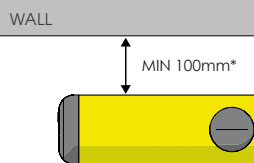
Ø18 mm



24

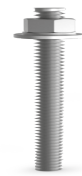


WARNING
The distance of installation depends on speed and weight of vehicle



GR 90

ISTRUZIONI DI INSTALLAZIONE
ASSEMBLY INSTRUCTIONS



SF16 INOX



ANCHOR (FR)

WITH RESIN

