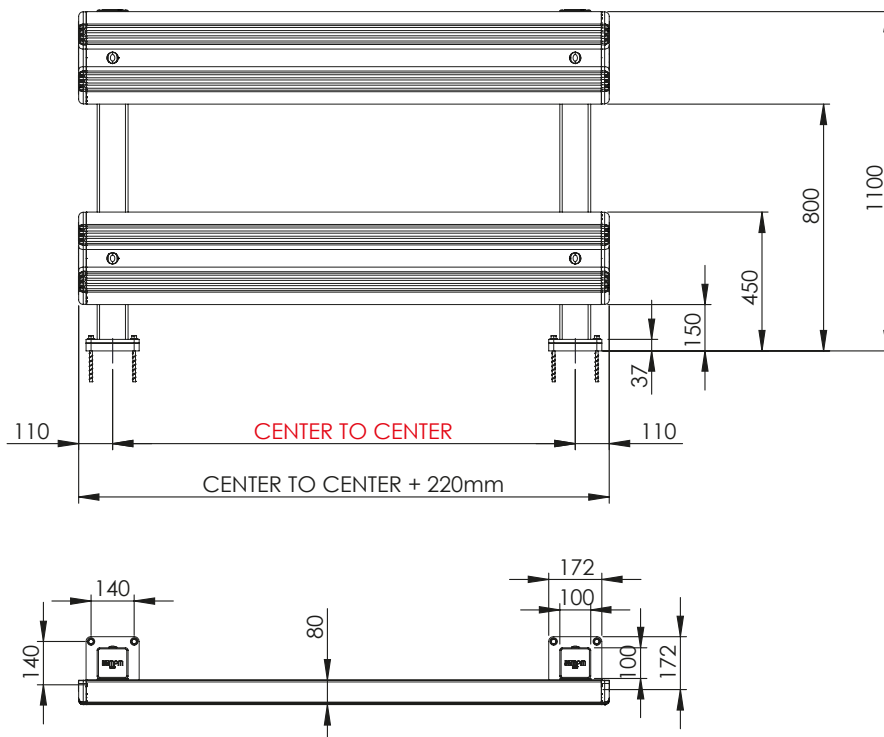
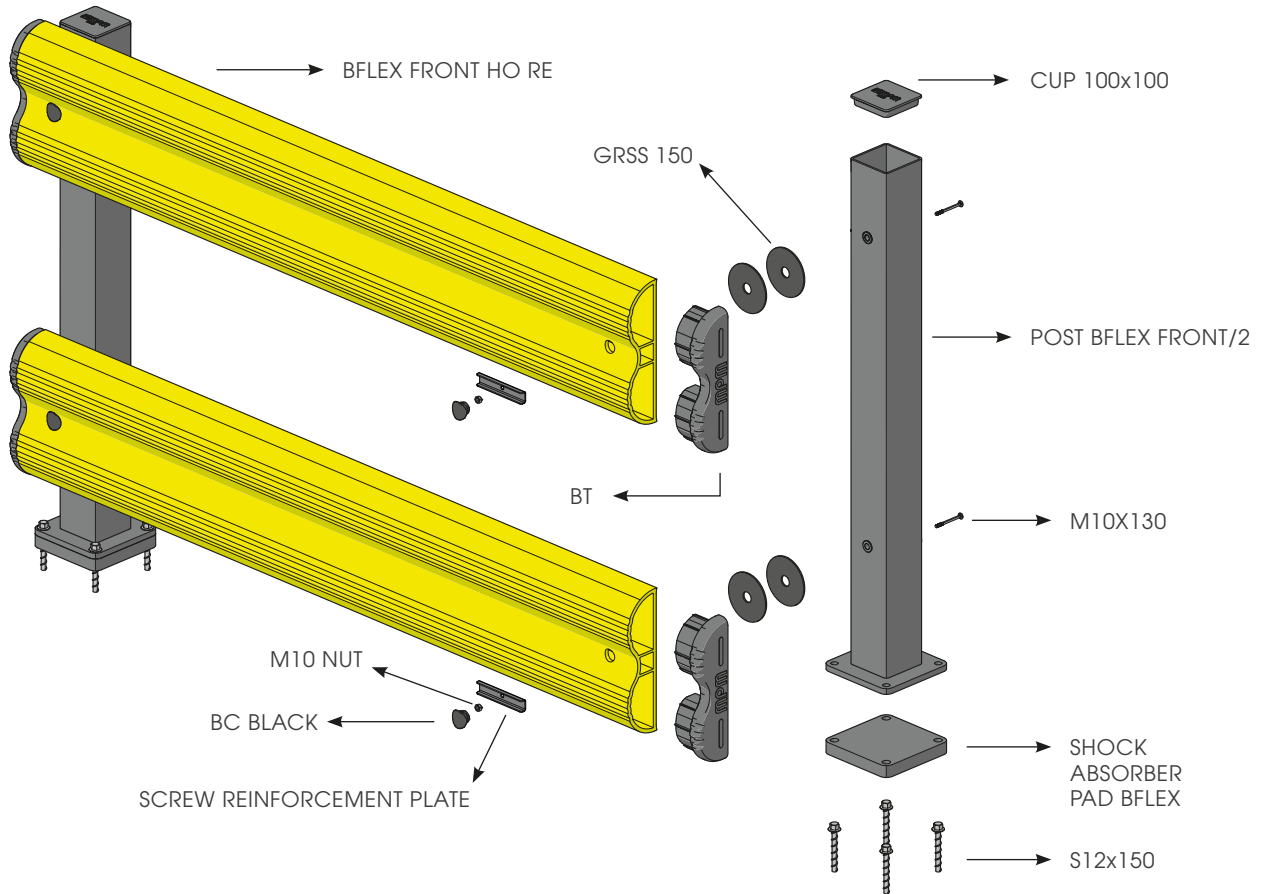


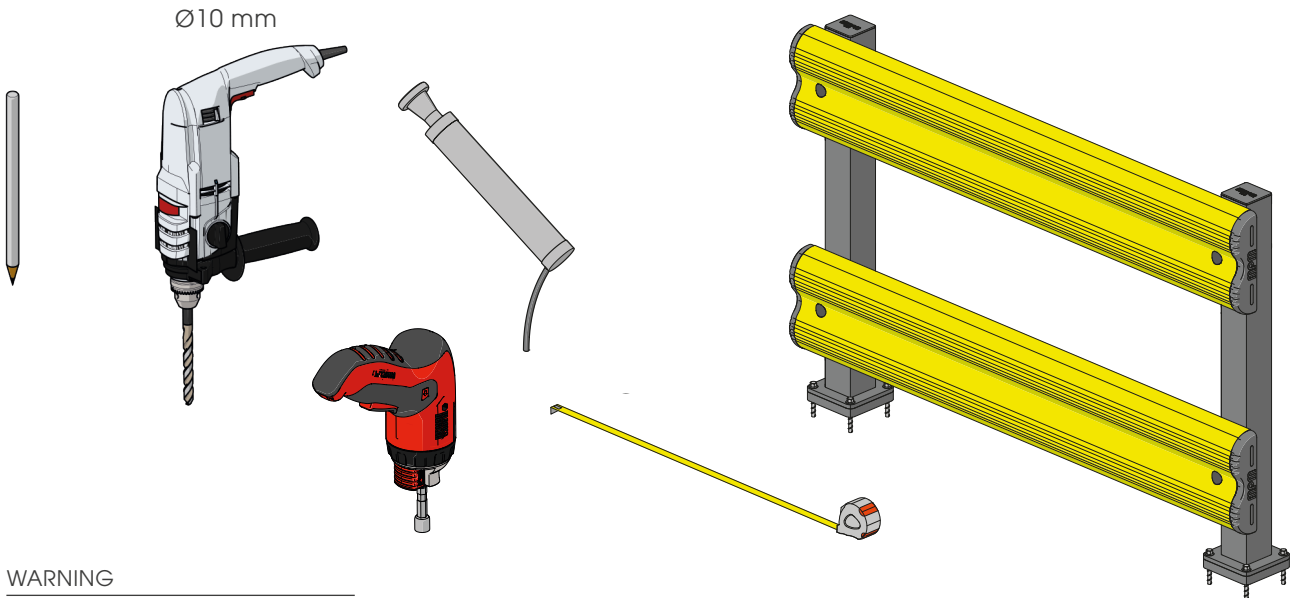
# BFLEX.FRONT/2

BARRIERA DOPPIA FRONTALE - RACK END MODULO SINGOLO  
FRONTAL DOUBLE RACK END BARRIER



# BFLEX.FRONT/2

ISTRUZIONI DI INSTALLAZIONE  
ASSEMBLY INSTRUCTIONS



**WARNING**

The distance of installation depends on speed and weight of vehicle

