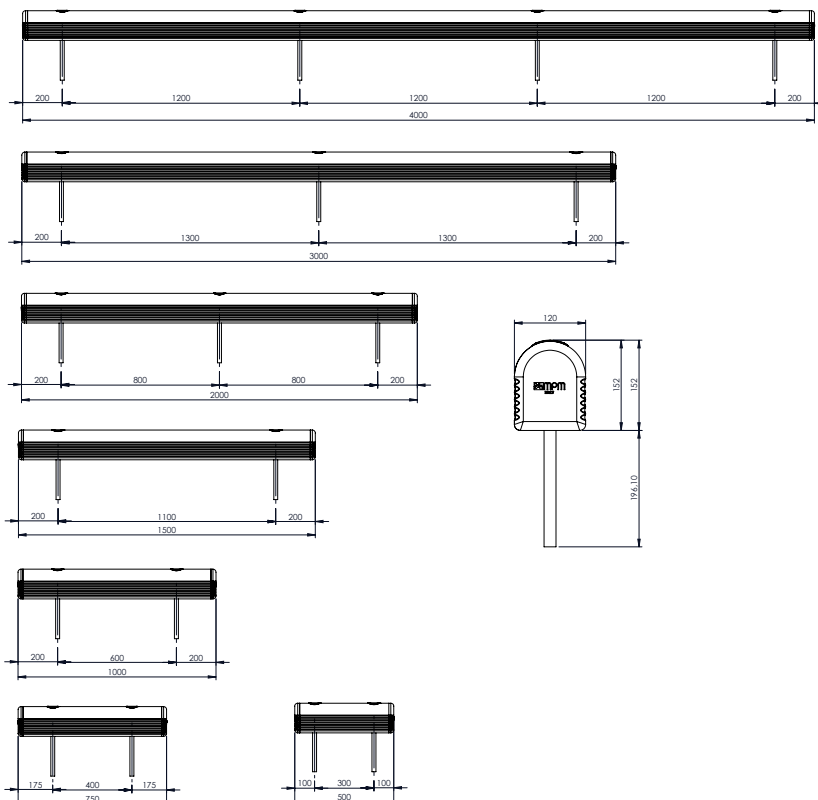
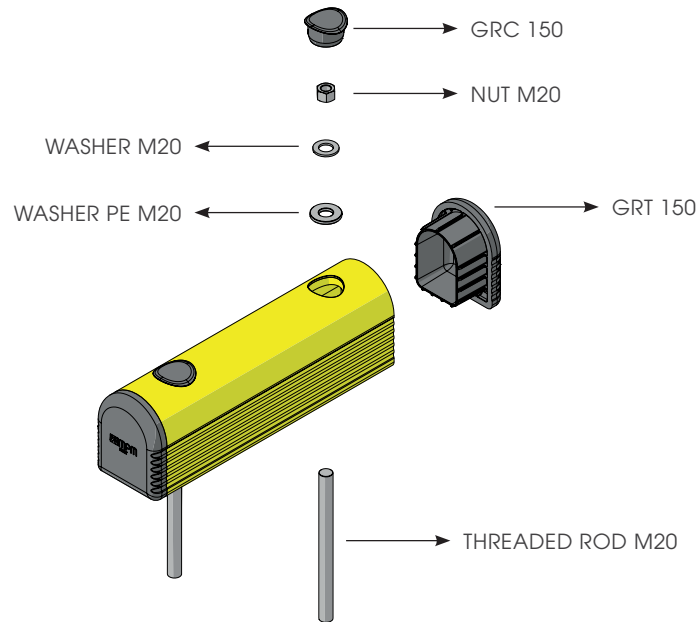


# TRUCK LINE



# TRUCK LINE

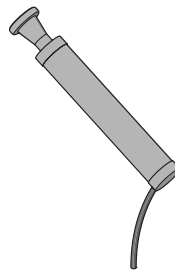
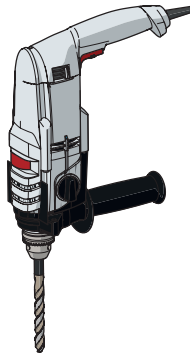
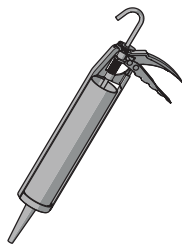
**ISTRUZIONI DI INSTALLAZIONE**  
**ASSEMBLY INSTRUCTIONS**

**WARNING**

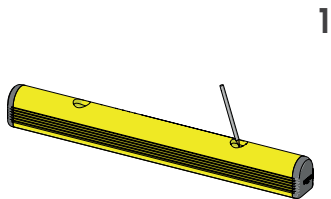
The distance of installation depends on speed and weight of vehicle

CHEMICAL ANCHOR

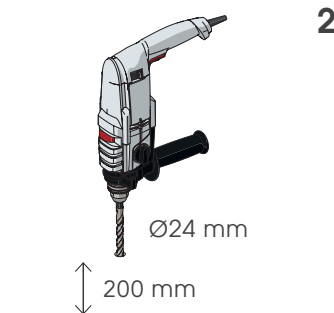
Ø24 mm



30



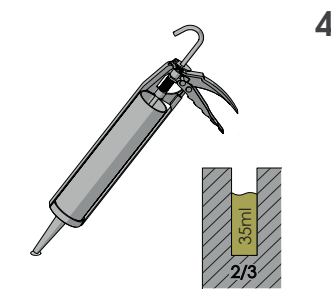
1



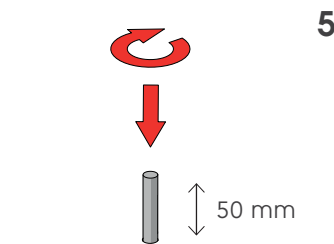
2



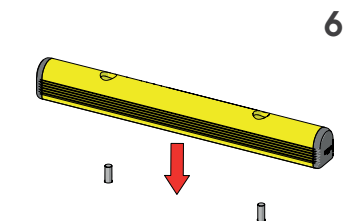
3



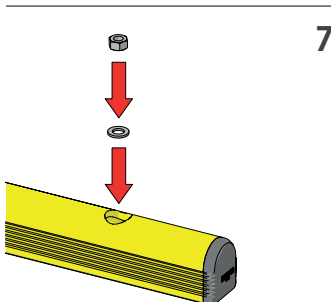
4



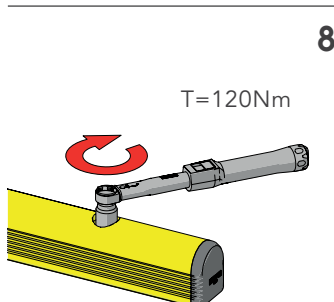
5



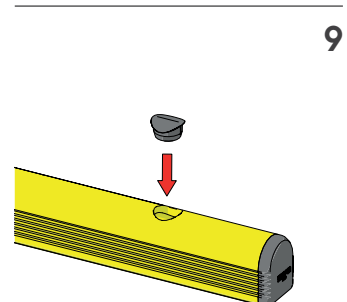
6



7



8



9